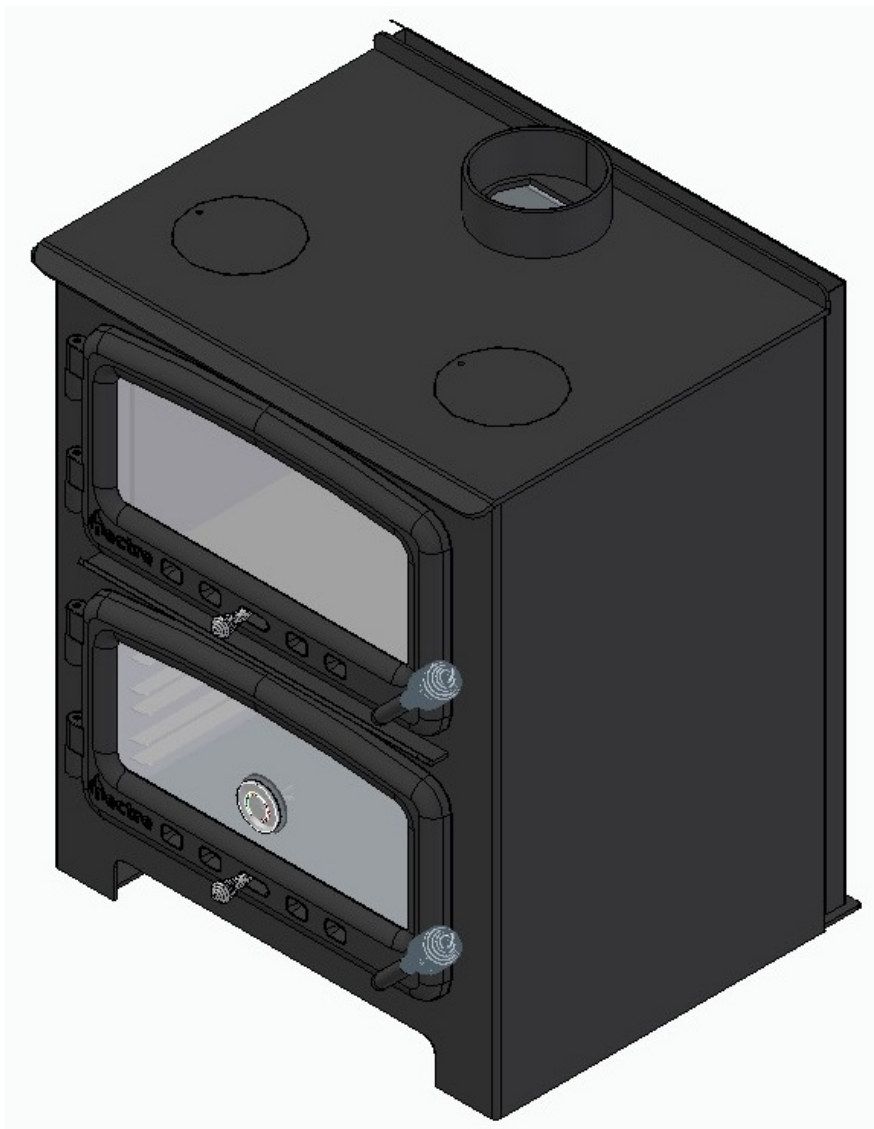




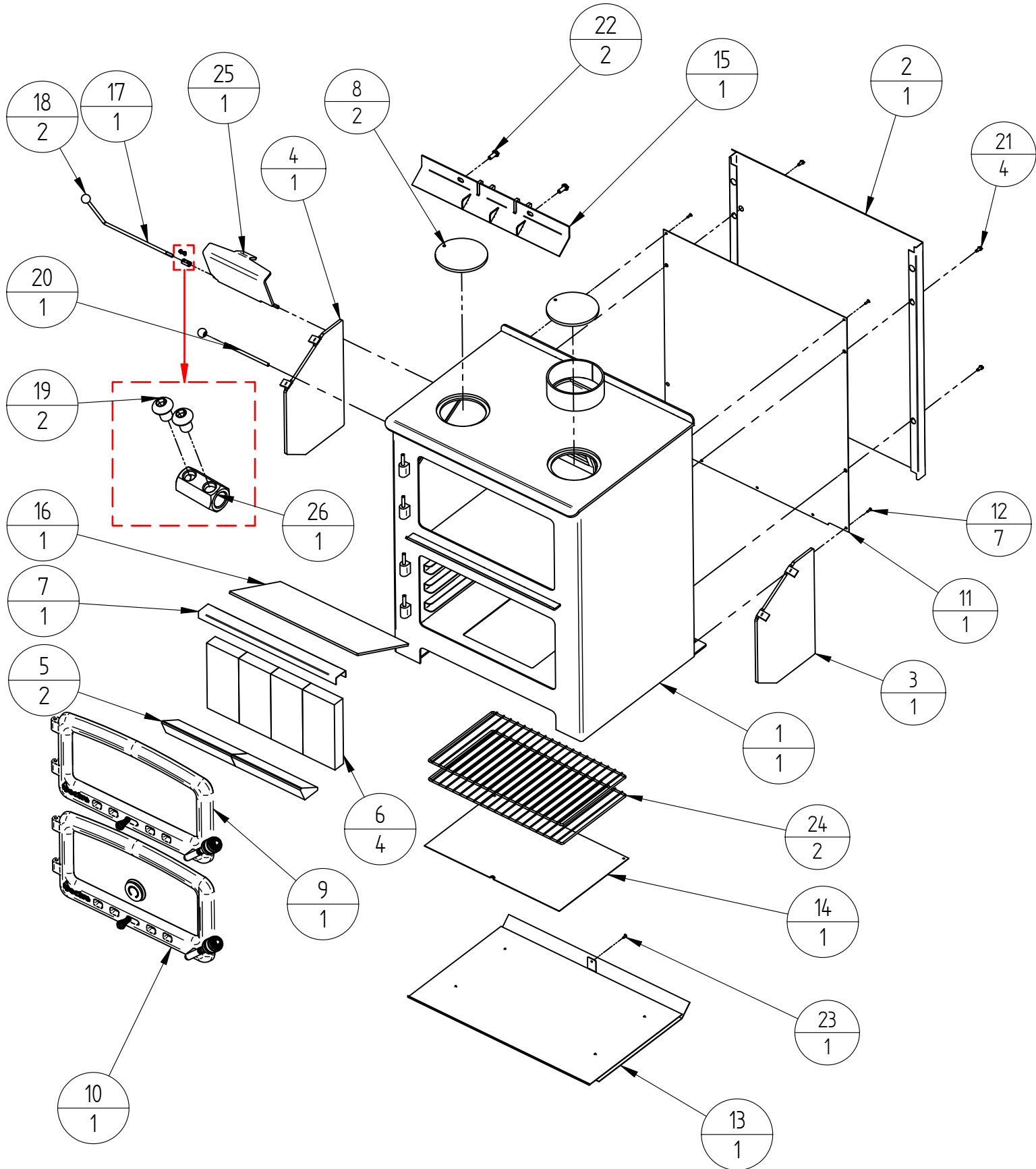
## FREESTANDING WOOD FIRE

### BIG BAKERS OVEN

DESCRIPTIONS	ITEM NO.	MARKET	FUEL TYPE	FINISH	YEAR	FAN
FREESTANDING WOOD FIRE OVEN	970912	NEW ZEALAND / USA AUSTRALIA / CANADA	SOFTWOOD OR HARDWOOD	Metallic Black VHT Paint	JUNE - 2019	NO



# OVEN, DOORS, DAMPER, BRICKS



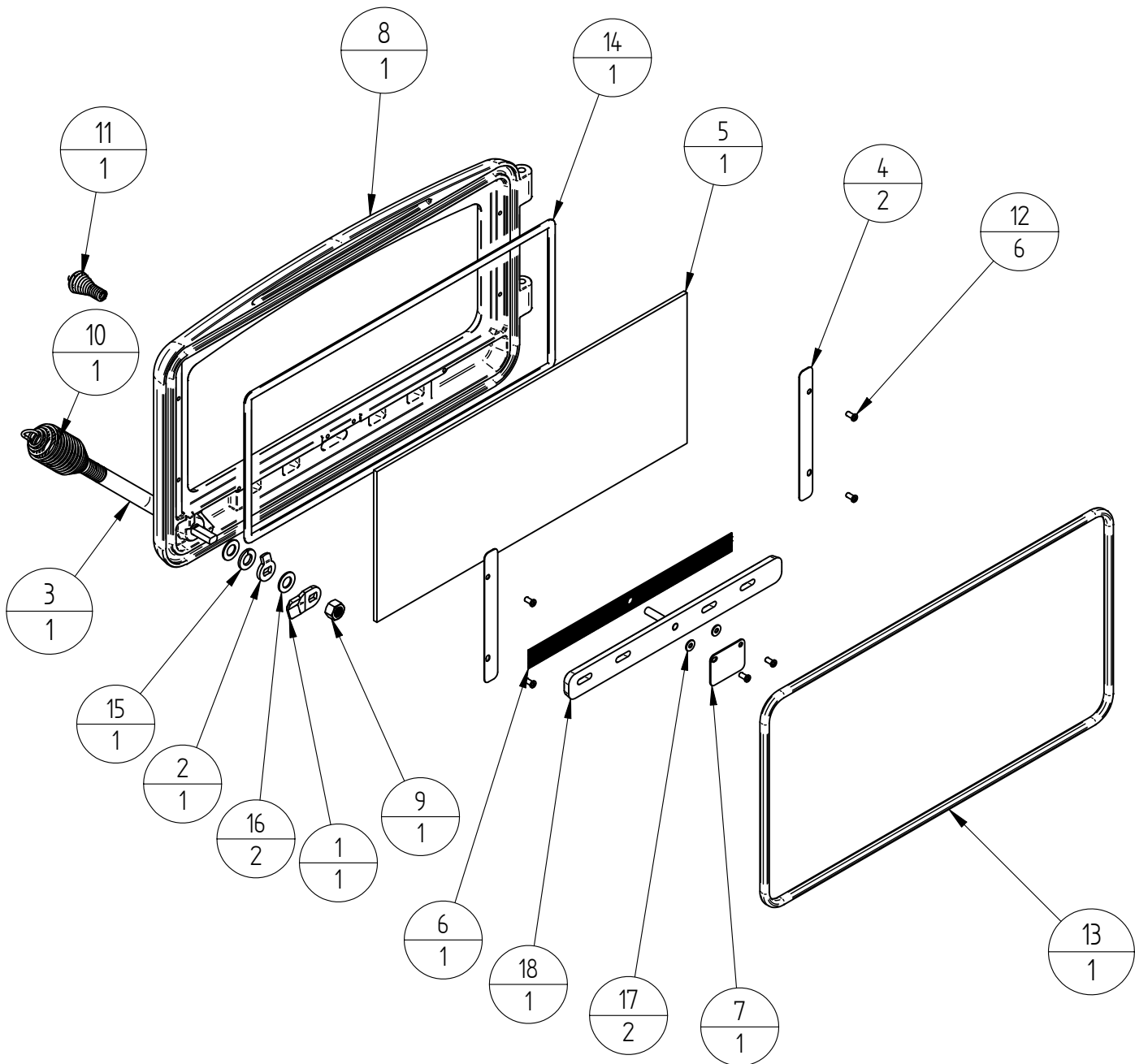
When ordering PLEASE QUOTE PART ID along with Finish Suffix (if applicable)

OVEN, DOORS, DAMPER, BRICKS				
Item	Part ID	Model	Description	Qty
		BIG BAKERS OVEN		
1	970201	-	BBO FIRE BOX COMPLETE	1
2	970261 *	-	BBO REAR PANEL	1
3	970208 *	V02	BBO F/BOX SIDE SHIELD RH	1
4	970207 *	V02	BBO F/BOX SIDE SHIELD LH	1
5	570038 *	-	N15SW FB SP TRIANGULAR BRICK HALF	2
6	570036	-	NECTRE FIRE BRICK 35% - 230 x 115 x 38	4
7	970260 *	-	BBO BRICK RETAINER	1
8	970271 *	V02	BBO HOT PLATE	2
9	970202	-	NECTRE BBO TOP DOOR COMPLETE	1
10	970203	-	NECTRE BBO BOTTOM DOOR COMPLETE	1
11	970262	-	BBO REAR HEAT SHIELD	1
12	524036	-	RIVET; 73 STST 5-6	7
13	970206	-	BBO BOTTOM SHIELD ASSY	1
14	970263 *	V02	BBO F/BOX BOTTOM DIVIDER COVER	1
15	970209	V02	BBO BAFFLE SUPPORT SUB-ASSY	1
16	970267 *	V02	BBO BAFFLE PLATE	1
17	570119	-	NECTRE OVEN DAMPER HANDLE	1
18	570118	-	NECTRE OVEN DAMPER HANDLE NOB	2
19	521808	-	SCREW; CAP M6X8 BUTTON ALLEN ST	2
20	570116	-	NECTRE BBO AIR SLIDE HANDLE	1
21	521632	-	SCREW; S/T M6X15 HEX FLANGE NIC TAPTITE	4
22	521098	-	SCREW; M10X25 HEX ZP	2
23	521645	-	SCREW; S/T 8GX1/2" MUSH FLANGE POZI BLK	1
24	570130 *	-	BIG BAKERS OVEN WIRE TRAY	2
25	970258	V02	BBO DAMPER FLAP	1
26	570120	-	NECTRE BO HEX COUPLER	1

\* - SEE PAGE 8 FOR SPARE PART KIT IDS

When ordering PLEASE QUOTE PART ID along with Finish Suffix (if applicable)

# TOP DOOR ASSEMBLY (970202)

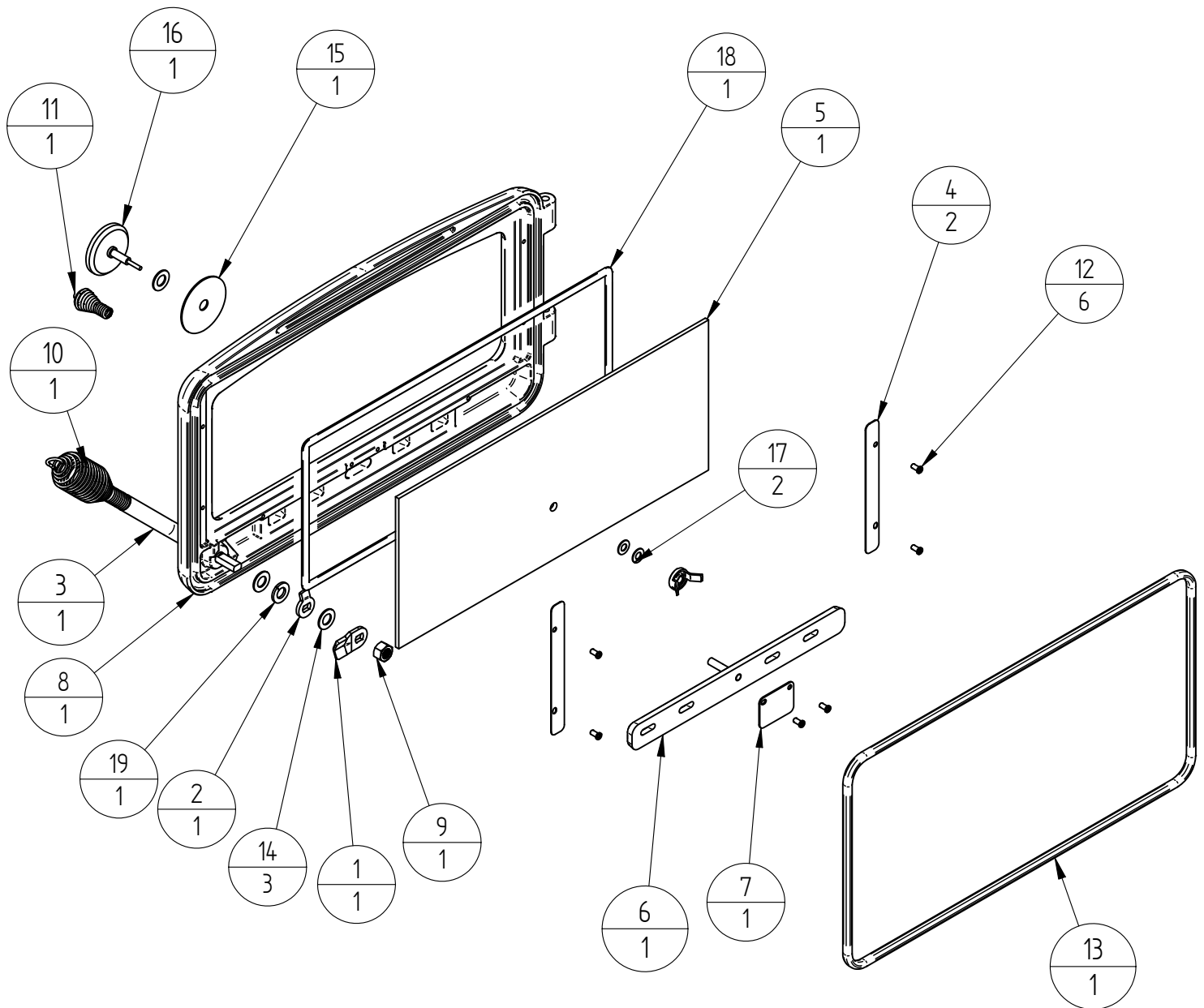


When ordering PLEASE QUOTE PART ID along with Finish Suffix (if applicable)

TOP DOOR ASSEMBLY (970202)				
Item	Part ID	Model	Description	Qty
		BIG BAKERS OVEN		
1	970072	-	N15SW DOOR LATCH	1
2	970071	-	N15SW DOOR LATCH STOP	1
3	570133FM	-	BBO DOOR HANDLE USA FERROMOLY	1
4	970070	-	N05SW DOOR GLASS RETAINER	2
5	570124*	-	GLASS NECTRE BIG BAKER OVEN & MK1	1
6	570128 / 970128	-	NECTRE BBO AIR SLIDE MESH	1
7	970231	-	NECTRE DOOR BIG AIR SLIDE RETAINER	1
8	570121	-	NECTRE DOOR BIG CASTING DRILL-TAPPED	1
9	522706	-	HX HD NUT M12 SS	1
10	570025	-	NECTRE DOOR HANDLE N15	1
11	570132	-	NECTRE BOTTOM AIRSLIDE KNOB	1
12	521807	-	SCREW; S/T M5X10 POZI PAN BLK	6
13	∅13MMDR *	-	DOOR ROPE 13MM X 50M PS117 (MTR)	1563MM
14	∅10MMGT *	-	GLASS FIBRE TAPE 10X3X50M ROLL (MTR)	1350MM
15	523109	-	SPRING WASHER M12 ST/ST	1
16	523049	-	WASHER; M12X24X1.5 FLAT SS304	2
17	523000	-	WASHER; FLAT 3/16"X1/2"X18G ZP	2
18	970123	-	BBO DOOR AIR SLIDE WELDED PAINTED	1

\* - SEE PAGE 8 FOR SPARE PART KIT IDS

# BOTTOM DOOR ASSEMBLY (970203)

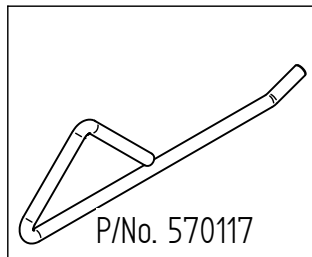


When ordering PLEASE QUOTE PART ID along with Finish Suffix (if applicable)

BOTOM DOOR ASSEMBLY (970203)				
Item	Part ID	Model	Description	Qty
		BIG BAKERS OVEN		
1	970072	-	N15SW DOOR LATCH	1
2	970071	-	N15SW DOOR LATCH STOP	1
3	570133FM	-	BBO DOOR HANDLE USA FERROMOLY	1
4	970070	-	N05SW DOOR GLASS RETAINER	2
5	570125 *	-	GLASS NECTRE BIG BAKER OVEN BOTTOM DOOR	1
6	970123	-	BBO DOOR AIR SLIDE WELDED PAINTED	1
7	970231	-	NECTRE DOOR BIG AIR SLIDE RETAINER	1
8	570121	-	NECTRE DOOR BIG CASTING DRILL-TAPPED	1
9	522706	-	HX HD NUT M12 SS	1
10	570025	-	NECTRE DOOR HANDLE N15	1
11	570132	-	NECTRE BOTTOM AIRSLIDE KNOB	1
12	521807	-	SCREW; S/T M5X10 POZI PAN BLK	6
13	C13MMDR *	-	DOOR ROPE 13MM X 50M PG117 (MTR)	1563MM
14	523049 *	-	WASHER; M12X24X1.5 FLAT SS304	3
15	970181	V02	NECTRE TEMP GAUGE WASHER MET BLK VHT	1
16	570131	-	NECTRE TEMPERATURE GAUGE	1
17	523041	-	WASHER; FLAT M8X1MM ST/ST 304	2
18	C10MMGT	-	GLASS FIBRE TAPE 10X3X50M ROLL (MTR)	1350MM
19	523109	-	SPRING WASHER M12 ST/ST	1

\* - SEE PAGE 8 FOR SPARE PART KIT IDS

NOT ILLUSTRATED				
Item	Part ID	Model	Descriptions	Qty
		970912		
1	570113	-	BO/BBO DAMPER INSTALL INSTURCTIONS	1
2	570226-ENGLISH	-	BBO INSTALLATION & OPERATIONS MANUAL ENGLISH	1
3	570226-FRENCH	-	BBO INSTALLATION & OPERATIONS MANUAL FRENCH	1
4	570226-NZ-AUS	-	BBO INSTALLATION & OPERATIONS MANUAL NZ/AUS	1
5	570116	-	BBO AIR SLIDE HANDLE	1
6	570117FM	-	BO/BBO HOT PLATE LIFTING TOOL	1
7	570118	-	BO/BBO DAMPLER HANDLE KNOB	1
8	570119FM	-	BO/BBO DAMPER HANDLE	1
9	591318	-	KEY ALLAN 4MM S/S	1
10	521808	-	SCREW; M6X6 BUTTON SOCKET	1



SURFACE FINISH CODES FOR PANELS				
VHT PAINT(Very High Temp)			POWDER COAT	
V02	P-000022	METALLIC BLACK	P02	MATT BLACK
			P08	MANNEX BLACK

N550 – BIG BAKERS OVEN SPARES	
PART ID	PART DESCRIPTION
770260	N550 – BBO REAR BRICKS x 4 + RETAINER
770038	N550 – BBO FRONT BRICKS (2)
770267	N550 – BBO BAFFLE PLATE PAINTED
770124	N550 – BBO TOP DOOR GLASS + TAPE
770125	N550 – BBO BOTTOM DOOR GLASS + TAPE
770282	N550 – BBO SPARE DOOR ROPE C13MMDR
770283	N550 – BBO SPARE GLASS TAPE G10MMGT
770130	N550 – BBO OVEN RACKS (2)
770284	N550 – BBO FIREBOX SIDE SHIELDS (2)
770271	N550 – BBO HOT PLATE LIDS (2)
770263	N550 – BBO OVEN BOTTOM COVER PAINTED
770261	N550 – SPARE BBO REAR PANEL PAINTED
770131	NECTRE THERMOMETER WITH WASHERS

When ordering PLEASE QUOTE PART ID along with Finish Suffix (if applicable)